

Pocket PLC Controller

RIO-47xxx

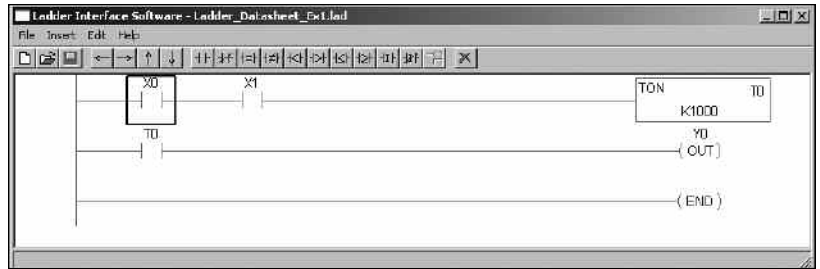
Ladder Interface Software

Galil's Ladder Interface Software is a software tool for the RIO-47xxx Pocket PLC. The software converts a relay Ladder Logic program into code for input into the RIO controller. Ladder Logic is often used by programmable logic controller (PLC) programmers to graphically input I/O logic. While direct RIO programming using Galil's two-letter text instructions allows for flexible coding, it is sometimes easier to determine the I/O logic visually with Ladder Logic.

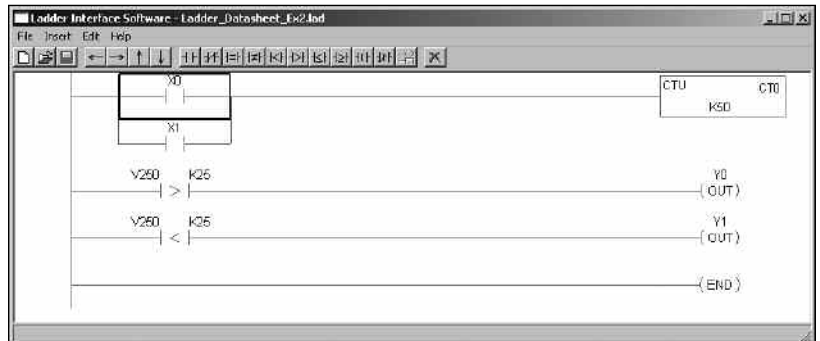
The Ladder Interface Software provides an easy-to-use graphical interface that allows object types for: contacts, coils, control relays, boxes (including timers, counters and data manipulation) and analog I/O. The software generates an RIO program from the specified objects in the flow diagram. In addition to generating optimized code, Galil's Ladder Interface Software automatically adds determinism to the RIO program.

Features

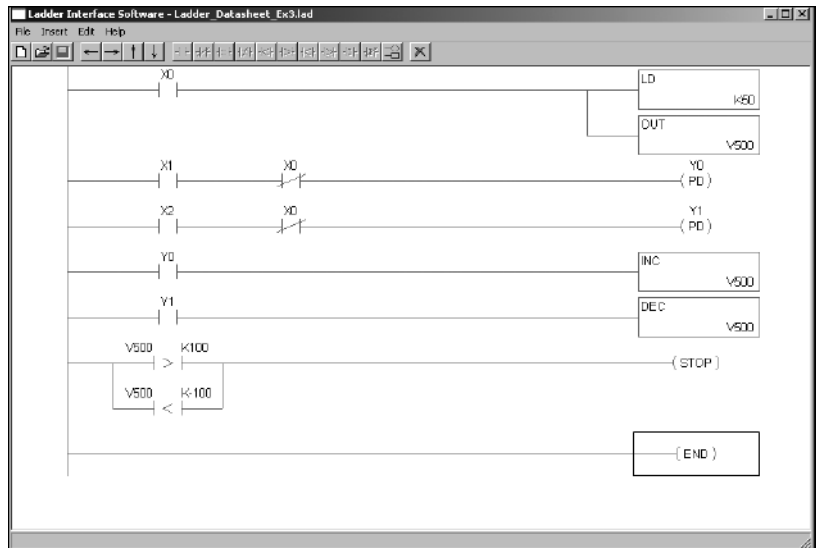
- Object types include:
 - Contacts
 - Coils
 - Control relays (virtual contacts/coils)
 - Boxes (including timers, counters and data manipulation)
 - Analog I/O
- Standard mathematical and logical operators include:
 - Equal, Not Equal, Less than, Greater than
 - AND, OR (normally open or normally closed)
 - Add, Subtract, Multiply, Divide, Increment, Decrement
 - Shift or rotate accumulator left or right
- Galil command box for specifying any valid Galil two-letter command



On-Timer (TON) Ladder Logic Example



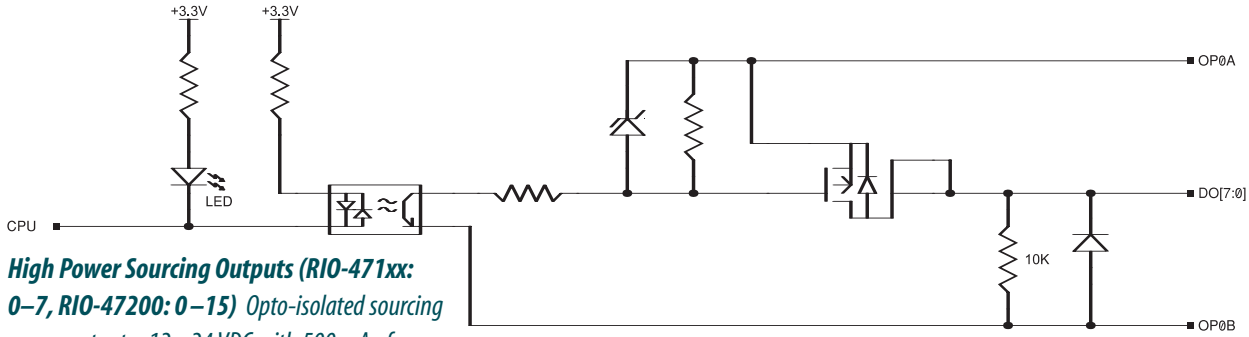
Up-Counter (CTU) and comparative logic example



One-shot output (PD) and variable manipulation example

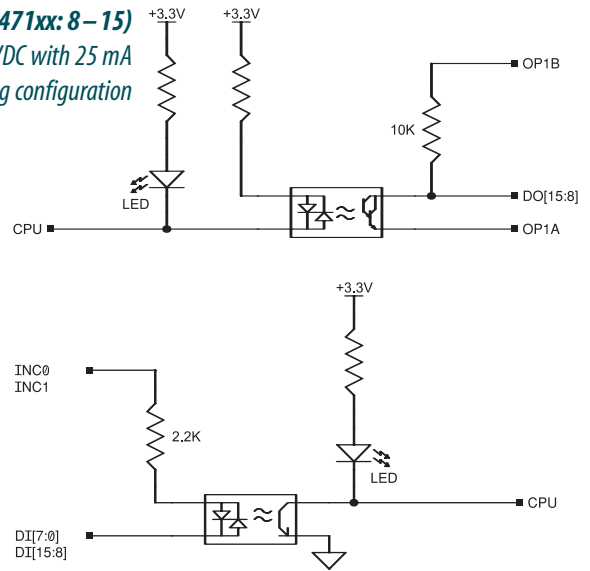
Pocket PLC Controller

RIO-47xxx



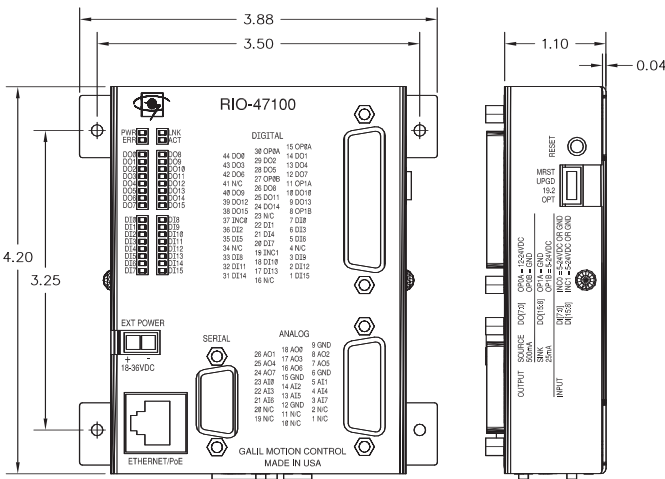
High Power Sourcing Outputs (RIO-471xx: 0–7, RIO-47200: 0–15) Opto-isolated sourcing power outputs. 12–24 VDC with 500 mA of current capability per output

Low Power Sinking Outputs (RIO-471xx: 8–15) Opto-isolated sinking outputs. 5–24 VDC with 25 mA of current capability in a sinking configuration



Digital Inputs Digital inputs 0–15 are opto-isolated inputs with a range of 5–24 VDC

RIO-471xx



Ordering Information

PART NUMBER	DESCRIPTION	QUANTITY 1	QUANTITY 100
RIO-47100	PLC with 0–5 V analog I/O; 12-bit ADC/DAC	\$ 295	\$ 195
RIO-47120	PLC with ±10 V analog I/O; 12-bit ADC/DAC	\$ 345	\$ 245
RIO-4712x-16	16-bit ADC/DAC option for RIO-47120 or -47122	add \$ 50	add \$ 50
RIO-47102	RIO-47100 with expanded memory	\$ 345	\$ 245
RIO-47122	RIO-47120 with expanded memory	\$ 395	\$ 295
-DIN	DIN-rail mounting option for RIO-471xx	\$ 25	\$ 25
RIO-47200	RIO with screw terminals and DIN. 12-bit, 0–5 VDC analog inputs. Consult factory for options.	\$ 345	\$ 245
CABLE-44-1M	44-pin D HD male cable to discrete wires	\$ 35	\$ 24
CABLE-26-1M	26-pin D HD male cable to discrete wires	\$ 25	\$ 17
ICS-48026-M	26-pin D HD male to screw terminals	\$ 75	\$ 50
ICS-48044-M	44-pin D HD male to screw terminals	\$ 75	\$ 50
Ladder Interface Software	Converts Relay Ladder logic into deterministic code for RIO	\$ 195	
GalilTools-Lite	Editor, Terminal, Watch Tools. Includes communication library for developers-supports C++, VB, C#, LabVIEW and more	Free download	
GalilTools	Above with Scope and Tuner	\$ 195	

Galil offers additional quantity discounts for purchases between 1 and 100. Consult Galil for a quotation.